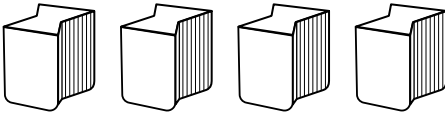


INSTRUCTIONS FOR ASSEMBLING YOUR Wood Frame

HARDWARE



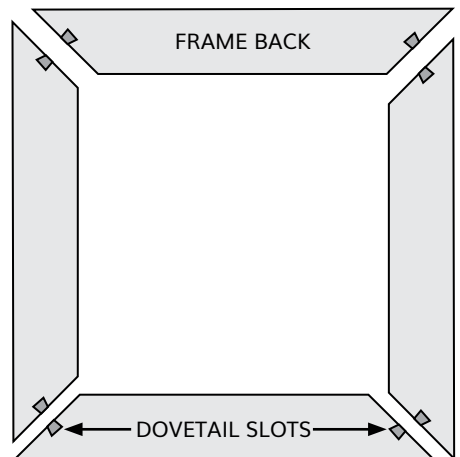
DOVETAILS



GLUE

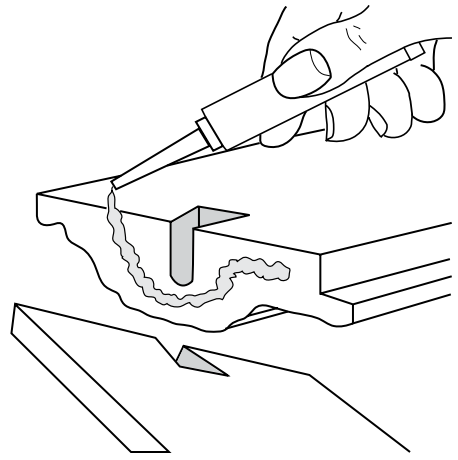
Note: Don't let things get all scratchy! Place your frame face down on a smooth, flat surface when assembling.

1. Lay your four pieces of Moulding face down in their approximate assembly position. Ensure the Dovetail Slots in the frame are lined up.
2. Select the proper size Dovetails for the depth of the slots on your Moulding. Your hardware package will include several different sizes. You may need one or two Dovetails to fill each Dovetail Slots.

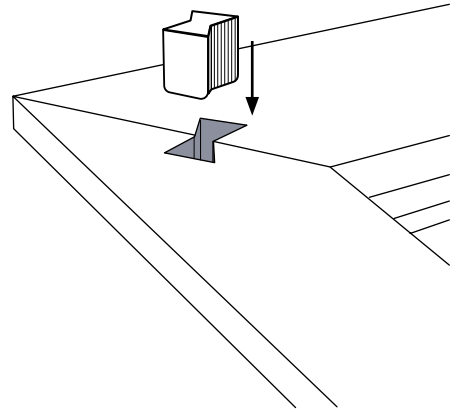


Note: Moulding can warp slightly in transit. For best results, you may need to assemble three corners and allow them to dry overnight. This helps to prevent corner gaps when the fourth corner is joined.

3. Start at one corner. Put a bead of Glue along the inside edge where the two sides come together, then push the two pieces together. Be careful not to get Glue on the face of the Frame or Liner if one exists.



4. Line up the Dovetail Slots and insert the Dovetails with the rounded end down and flat end up. Do not put glue in the Dovetail Slots. If two Dovetails are needed use a second Dovetail to press the first into the Dovetail Slot.



5. Repeat steps 3 & 4 with the remaining corners. Allow the Glue to dry for 2 hours and preferably overnight before proceeding with framing your piece.