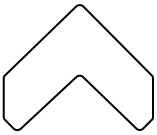
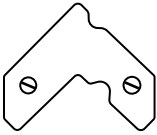


INSTRUCTIONS FOR ASSEMBLING YOUR Metal Frame

HARDWARE



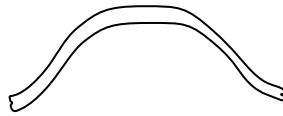
4 - A ANGLES



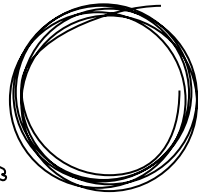
4 - B ANGLES




2 - HANGERS



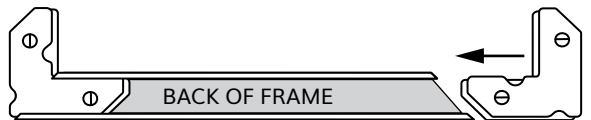
8 - TENSION CLIPS



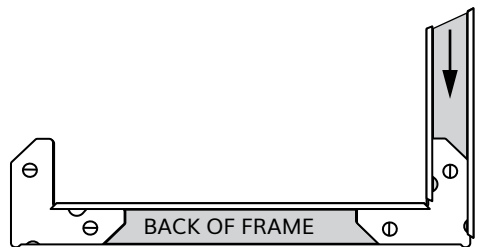
1 - HANGING WIRE

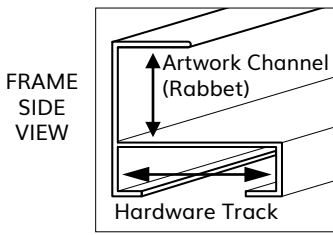
Note: Don't let things get all scratchy! Place your frame face down on a smooth, flat surface when assembling. The hardware track on the back of the frame will make a  shape when facing upwards.

1. With (1) B Angle on top of (1) A Angle, insert one pair into each end of the hardware track in the bottom Frame section. A and B letters should face each other.

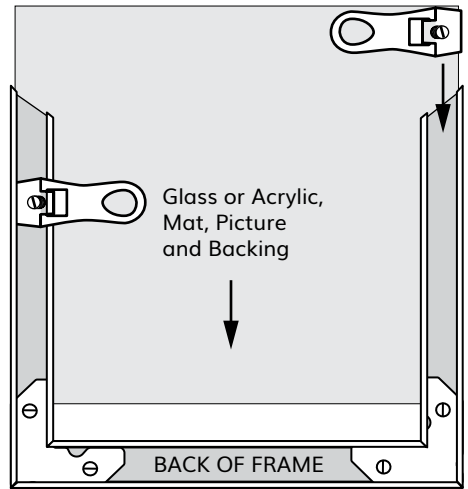


2. Slide both Frame side sections onto the exposed A and B Angles, tighten each Screw lightly.



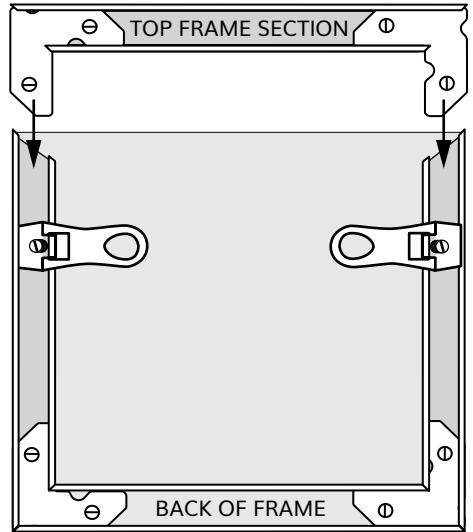


3. Remove the protective film from both sides of your Acrylic. Slide your Glass or Acrylic, Mat, Picture and Backing into the Artwork Channels at the top of the Frame.



4. Slide the Hangers down the Hardware Track a third of the way from the Top of the Frame.

5. Insert remaining A and B Angles into each end of the Top Frame Section. Tighten Screws lightly.



6. Insert assembled Top Frame Section into the open Hardware Track. Slightly tighten each of the Screws in the Frame until fully tightened, to align corners.

6. Insert the spring tension clips between the backing and the artwork channel to secure all the materials in your frame. Press Tension Clip down lightly to flatten and fit Tension Clip under the frame edge.

7. Thread the Hanging Wire through each Hanger, knot, and twist remaining wire tail to secure.

8. Hang your masterpiece and enjoy!