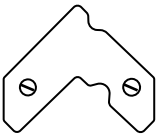


INSTRUCTIONS FOR ASSEMBLING YOUR Metal Canvas Floater

HARDWARE



4 - B ANGLES



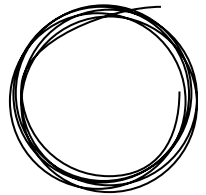
4 - A ANGLES




2 - HANGERS



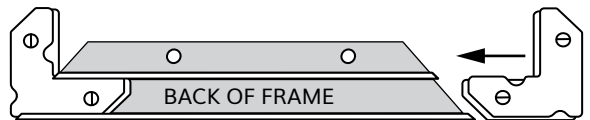
6 - SCREWS



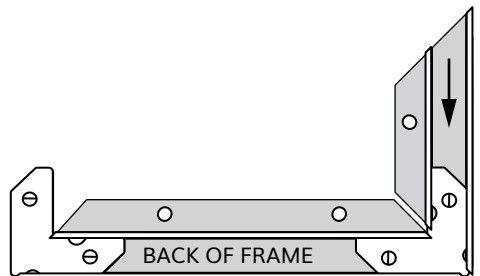
1 - HANGING WIRE

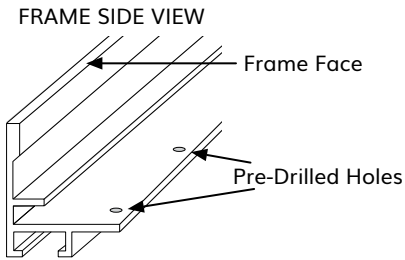
Note: Don't let things get all scratchy! Place your frame face down on a smooth, flat surface when assembling. The hardware track on the back of the frame will make a  shape when facing upwards.

1. With (1) B Angle on top of (1) A Angle, insert one pair into each end of the Hardware Track in the bottom Frame section. A and B letters should face each other.

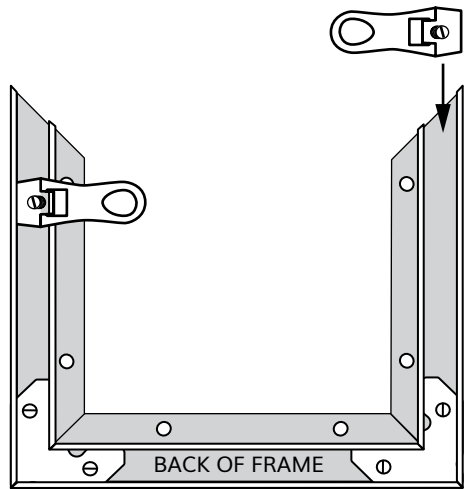


2. Slide both Frame side sections onto the exposed A and B Angles, tighten each Screw lightly.



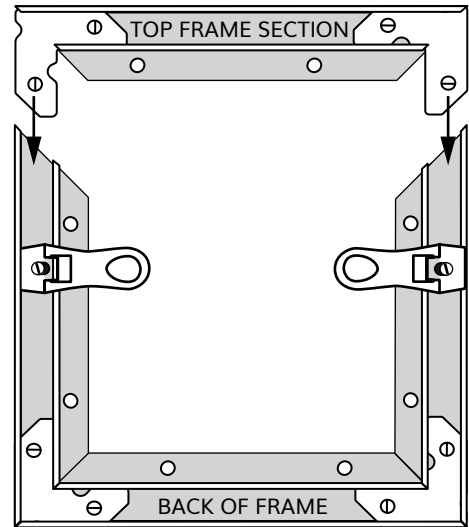


3. Slide the Hangers down the Hardware Track a third of the way from the top of the Frame.



4. Insert remaining A and B Angles into each end of the top Frame section. Tighten Screws lightly.

5. Insert assembled top section into the Frames open Hardware Track. Lightly tighten each of the Screws in the Frame until fully tightened, to align corners.



6. Place Stretched Canvas, face down, and lay fully assembled frame, face down over canvas.

7. Fasten your Stretched Canvas to your Floater Frame with the enclosed Screws. Use at least one Screw per side.

8. Thread the Hanging Wire through each Hanger, tighten Screw to lock in place, knot, and twist remaining wire tail to secure.

9. Hang your masterpiece and enjoy!

